



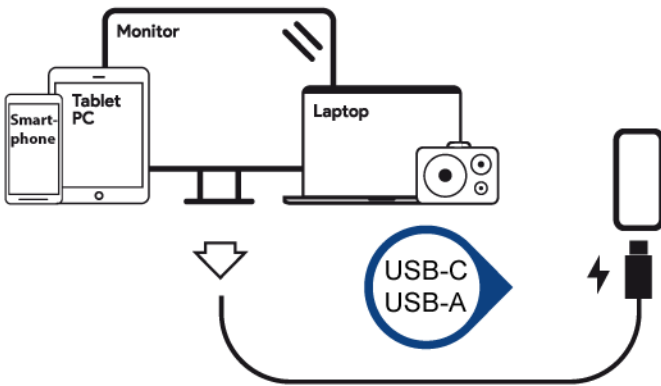
## LC-GAN-45

### USB GaN charger with 45 W output power

Fast. Compact. Efficient. Powerful.

Thanks to the new GaN technology, chargers can be built more compactly, but at the same time they offer a more efficient and faster charging process!

The LC-GAN-45 has an USB-C as well as an USB-A power delivery port with a maximal output power of 45 W. The charger works with virtually each USB device with USB-C and USB-A connector on the market.



- Power Delivery 3.0
- 1x USB-C: max. 45 W
- 1x USB-A: max. 12 W
- Combined: USB-C 30 W + USB-A 12 W
- High efficiency up to 93,8 %
- Stabilized output, low ripple & low interference
- Security circuitry:
  - Over-current protection (OCP),
  - Over-load protection (OLP),
  - Over-voltage protection (OVP),
  - Over-temperature protection (OTP),
  - Short-circuit protection (SCP)
- Compatible to any device with USB-C and USB-A connector

#### Technical specification - LC-GAN-45

Compatible to:	USB-C / USB-A devices
Input voltage:	AC 110-240 V
Input frequency:	50/60 Hz, 1,2 A
Output power:	USB-C: max. 45 W USB-A: max. 12 W USB-C 30 W + USB-A 12 W
Output voltage:	DC 5,0-20,0 V
Output current:	2,25-3,0 A
Standby power:	< 0,5 W
Dimension (product):	93 x 47 x 28 mm
Dimension (retail):	100 x 170 x 40 mm
Weight (product/overall):	0,073 / 0,115 kg
Material:	plastic, metal
Colour:	white
Mark of conformity:	CE
Barcode:	4262443280593
Manufacturer code:	LC-GAN-45
Included in delivery:	1x USB GaN charger

Output voltage:	USB-C:
	DC 5,0 V / 3,0 A = 15,0 W
	DC 9,0 V / 3,0 A = 27,0 W
	DC 12,0 V / 3,0 A = 36,0 W
	DC 15,0 V / 3,0 A = 45,0 W
	DC 20,0 V / 2,25 A = 45,0 W
	USB-A:
	DC 5,0 V / 2,4 A = 12,0 W